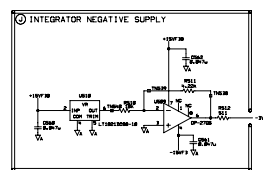
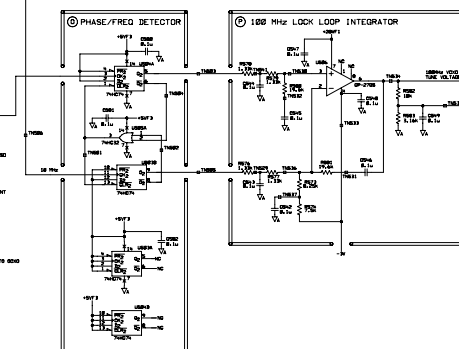
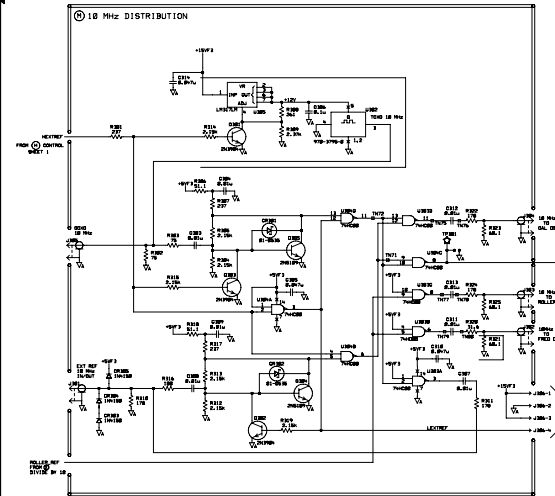
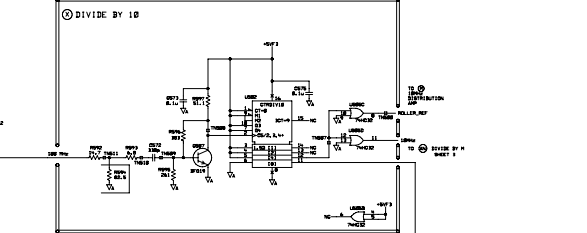
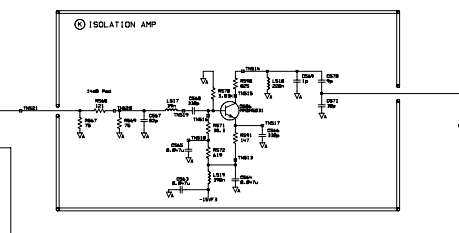
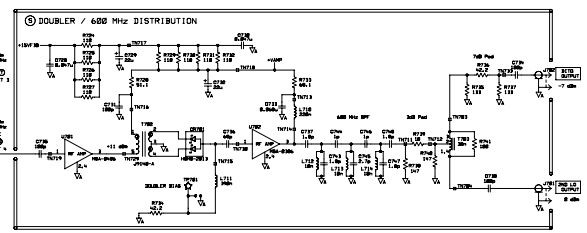
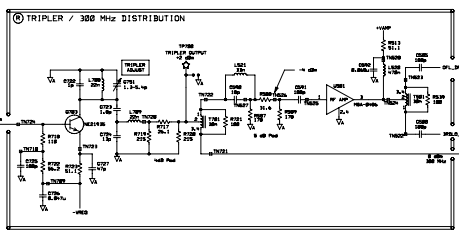
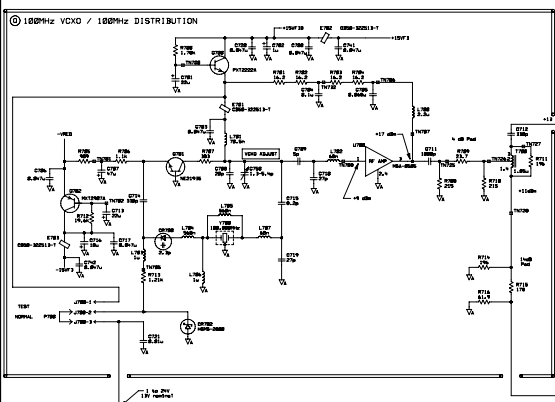


5300 HA 3528		D-08562-60178-1	
REV	REVISIONS	APPROVED	DATE
0	CHANGED PER CD-64299	/SL	K. WARD 85-17-91
1	CHANGED PER CD-68623	SL	J. KRADT 88-16-91



NOTES: HATCHED COMPONENTS ARE NOT LOADED FOR THIS ASSEMBLY.
RAB 93 = 88562-08178

AGILENT TECHNOLOGIES RESTRICTED THIS DOCUMENT CONTAINS CONFIDENTIAL, PROPRIETARY INFORMATION THAT IS AGILENT TECHNOLOGIES PROPERTY. DO NOT DISCLOSE TO OR DUPLICATE FOR OTHERS EXCEPT AS AUTHORIZED BY AGILENT TECHNOLOGIES.	DAVE LUIZ DRAWN BY	18-28-94 DATE	SCHMATIC, PWA RADIO FREQUENCY BOARD, OCXO	4284u178 FILENAME	
	DAVE LUIZ ENGINEER/DESIGNER	18-28-94 DATE		SCALE None	
	BRIAN CROSS RELEASE TO PROD.	07-18-95 DATE		SHEET 2 of 4	
	1-1 REV-F SUPPLIER'S DWG.	85-16-80		PART NUMBER D-08562-60178-1	